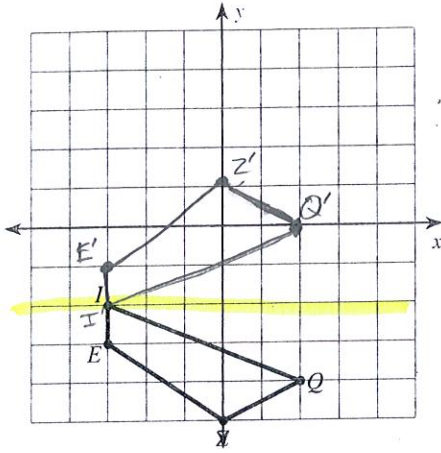


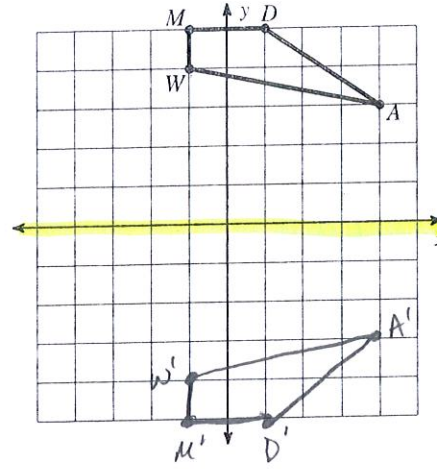
Reflections

Graph the image of the figure using the transformation given.

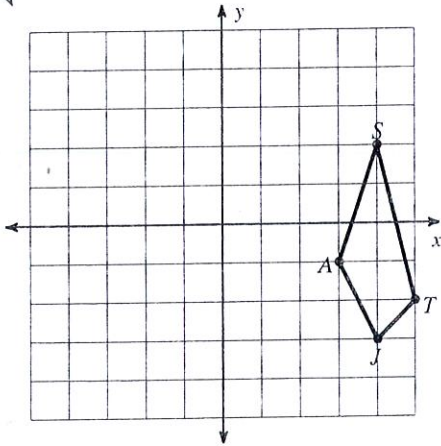
1) reflection across $y = -2$



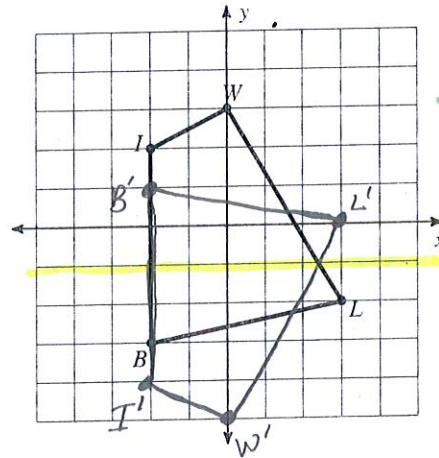
2) reflection across the x-axis



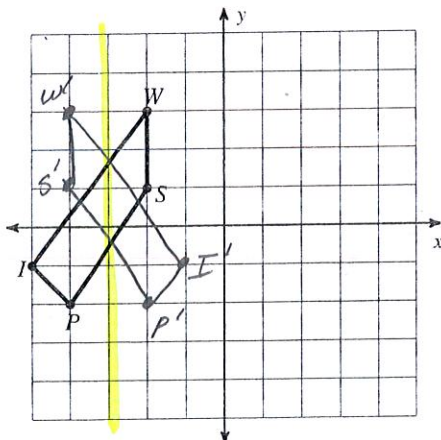
~~3)~~ reflection across $y = -x$



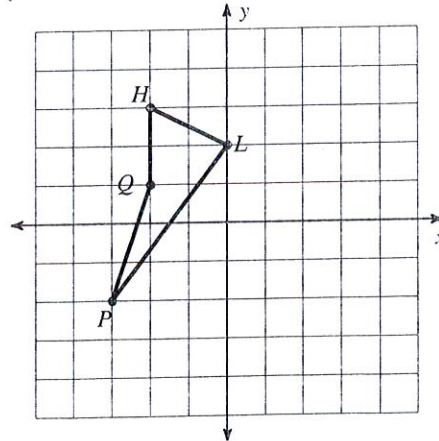
4) reflection across $y = -1$



5) reflection across $x = -3$

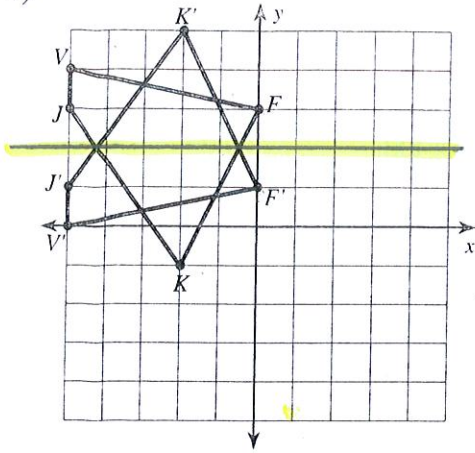


~~6)~~ reflection across $y = x$



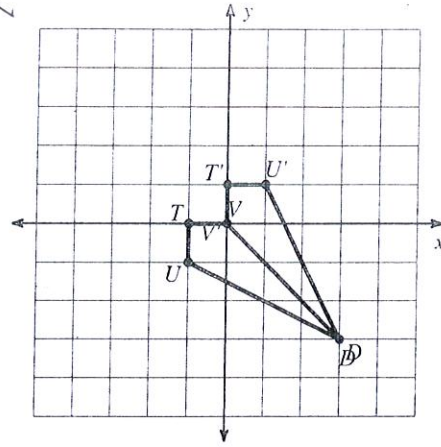
Write a rule to describe each transformation.

7)

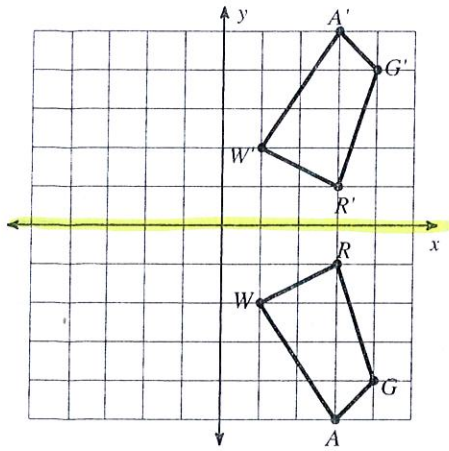


Reflection across $y=2$

~~8)~~

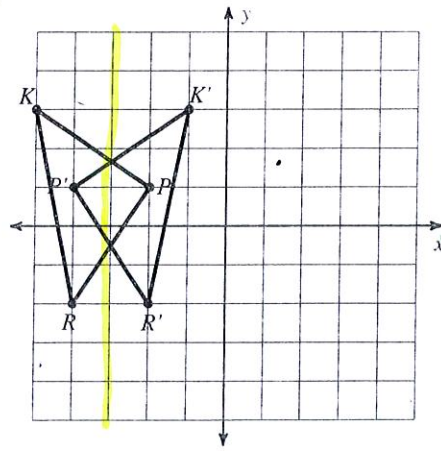


9)



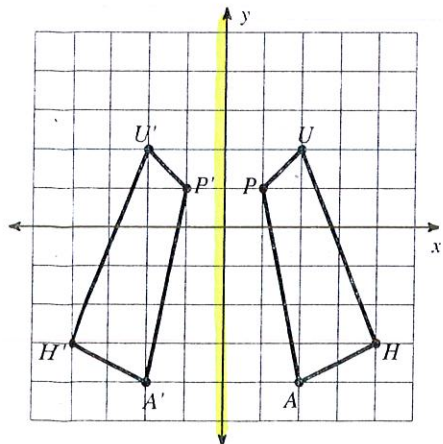
Reflection across the x-axis
or $y=0$

10)



Reflection across $x=-3$

11)



Reflection across y-axis or $x=0$

~~12)~~

